

**ARMY PUBLIC SCHOOL BIRPUR**  
**SESSION 2023- 24**  
**HOLIDAY HOMEWORK**

**SUBJECT : HINDI**

- 1- विद्यालय पत्रिका हेतु अपनी रुचि के किसी विषय पर लेख/कविता/तथ्य/हास्य मौलिक लेख word या docs पर लिखिए।
- 2 - अपने प्रिय कवि/लेखक का जीवन परिचय Project paper पर लिखिए,आपको उनकी जो रचना पसंद है ,उसका विवरण देते हुए चित्रों से सजाइए। (4 पृष्ठ)
- 3- अपनी अभिव्यक्ति माध्यम की कापी में निम्नलिखित विषयों पर निबंध लिखिए-  
क) लोकतंत्र में मीडिया की भूमिका  
ख) 'दीया और तूफान' मानव जीवन के सत्य

**SUBJECT: ENGLISH**

1. Write 5 examples of formal and informal Invitation.
2. Write articles on the following topics in 120-150 words:
  - a) Importance of worker safety in construction zones.
  - b) Energy Conservation: the need of the Hour
  - c) Sedentary Lifestyle- The Reason Behind Unhealthy Generation
  - d) Plastic- The Biggest Threat to Nature
3. Answer the following question in 100-120 words:
  - a) It won't be unkind to say that Charley was a coward. Life is a series of episode full of miseries and pleasantries. Charley didn't like to embrace either. Critically analyse his approach supporting the incidents from the text.

- b) Childhood is said to be the spring of everyone's life. But the life of Mukesh and Saheb was deprived of it. Describe the hardships and miseries the two protagonists of the story 'Lost Spring' underwent through a speech conveying the message to eliminate child labour.
- c) Douglas' rigorous training reminds us of a proverb 'A smooth sea has never made a skilled mariner.' Appreciate Douglas, recognising his hard work, grit and determination which made him a skilled mariner.
- d) 'Gentleness breeds peace, calm and consistency of character. It is not Volatile or abrupt in its response to the world.' Do you agree with the statement? How did the peddler respond when he was dealt with kindness, love and compassion?

## **SUBJECT: MATHEMATICS**

1. Do activity 1, 2,3,4,10,13,16,17 of NCERT lab manual
2. Do 10 questions from Previous year Board exams of CH- 1 to CH-4
3. Solve all the questions and examples of the NCERT Textbook from all the chapters covered in class.

## **SUBJECT: PHYSICS**

### **Q1 CASE STUDY**

A cylindrical copper conductor AB of length  $l$ , area of cross section  $a$  has large number of free electrons, which at room temperature move at random within the body of the conductor, like the molecules of a gas. The average thermal speed of the free electrons in random motion at room temperature is the order of  $10^5$  s. When a

potential difference  $V$  is applied across the two ends of a given conductor, the free electron in the conductor experience a force and are accelerated towards the positive end of the conductor. On their way, they suffer frequent collisions with the ions/atoms of the conductor and lose their gained kinetic energy. After each collision, the free electrons are again accelerated due to electric field, towards the positive end of the conductor and lose their gained kinetic energy in the next collision with ions/atoms of conductor. The average speed of the free electrons with which they drift towards the positive end of conductor under the effect of applied electric field is called drift speed of the electrons.

1. When a potential difference is applied across the two ends of the conductor, and an electric field exists
  - A outside the conductor
  - B inside the conductor
  - C both outside and inside the conductor
  - D no where
2. The motion of electrons in between two successive collisions with atoms follows
  - A a straight path
  - B circular path
  - C elliptical path
  - D curved path
3. The drift speed of the electrons depends on
  - A dimension of conductor
  - B number density of electrons
  - C both A and B
  - D none of these
4. Drift speed of electrons in a conductor is small( $=10^{-4}\text{m/s}$ ) when the switch is closed , the bulb at a distance glows immediately, it is so because
  - A . Drift velocity of electrons increases when switch is closed
  - B Electrons are accelerated towards the positive end of the conductor and their velocity increases towards the other end of the conductor.
  - C The drifting of electrons takes place at the entire length of the connecting wire. This electric effect propagates with the speed of light.
  - D. The electrons move towards the positive end protons of conductor move towards negative end of the conductor.

**Q2 Faraday cage or Faraday shield is an enclosure made of a conducting material. The fields within a conductor cancel out with any external fields, so the electric field within the enclosure is zero. These Faraday cages act as big hollow conductors you can put things in to shield them from electrical fields. Any electrical shocks the cage receives, pass harmlessly around the outside of the cage.**

**1. Which of the following material can be used to make a Faraday cage?**

- ( a) Plastic b)Glass c) Copper d)Wood**

**2. Example of a real-world Faraday cage is**

- a) car b) plastic box c) lightning rod d) metal rod**

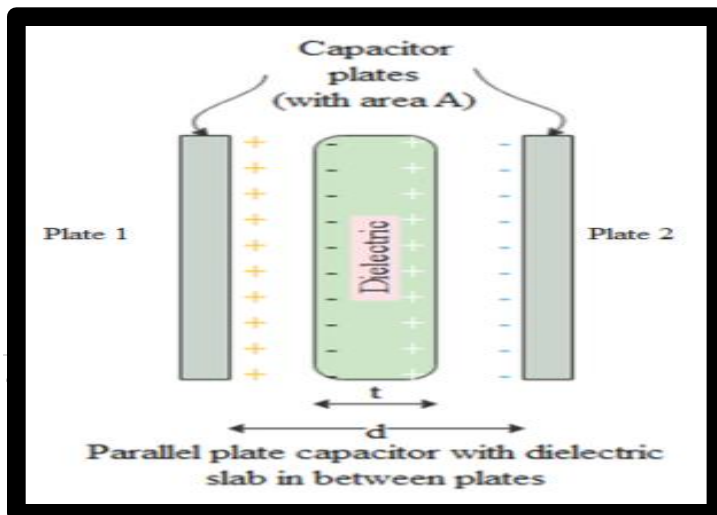
**3. What is the electrical force inside a Faraday cage when it is struck by lightning?**

- a) The same as the lightning  
b) Half that of the lightning  
c) Zero  
d) A quarter of the lightning**

**4. An isolated point charge +q is placed inside the Faraday cage. Its surface must have charge equal to**

- a) Zero b) +q c) -q d) +2q**

**5. A point charge of 2C is placed at centre of Faraday cage in the shape of cube with surface of 9 cm edge. The number of electric field lines passing through the cube normally will be**



- a) 1.9105 Nm<sup>2</sup> /C entering the surface  
b) 1.9105 Nm<sup>2</sup> /C leaving the surface  
c) 2.0105 Nm<sup>2</sup> /C leaving the surface  
d) 2.0105 Nm<sup>2</sup> /C entering the surface**

**Q3.** Figure shows parallel plate capacitor with plate area  $A$  and plate separation  $d$ . A potential difference is being applied between the plates. The battery is then disconnected and a dielectric slab of dielectric constant  $K$  is placed between the plates of capacitor as shown

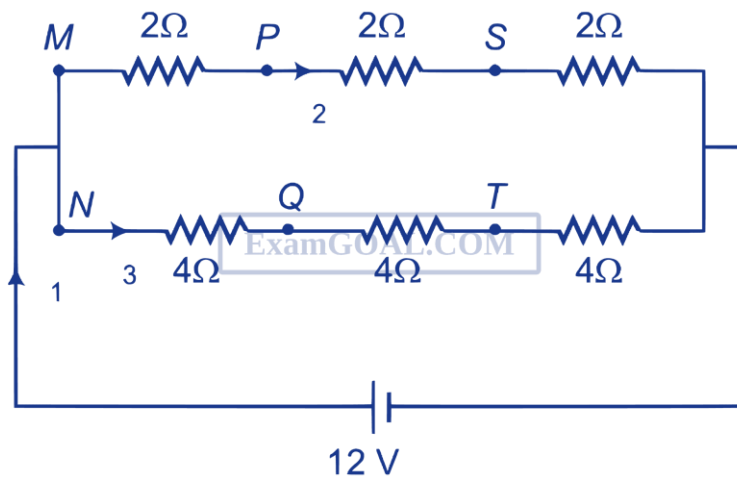
a) The electric field in the gaps between the plates and dielectric slab will be

1.  $EAV/d$     2.  $V/d$     3.  $KV/d$     4.  $V/d-t$

b) The electric field in dielectric slab is

1.  $V/K d$     2.  $KV/d$     3.  $V/d$     4.  $KV/t$

**Q4** Find the equivalent resistance and the current sent by battery.



**Q5** Solve questions from previous five-year board question paper based on the topic covered .

**Q6.** Prepare an investigatory project on topic based .

## **SUBJECT: CHEMISTRY**

- COMPLETE THE CHEMISTRY NOTEBOOK.
- COMPLETE THE LAB MANUAL.
- SOLVE THE GIVEN PREVIOUS YEAR QUESTION OF CHAPTER:
  1. SOLUTION
  2. ELECTROCHEMISTRY
- MAKE A RESEARCH FILE ON ANY ONE OF THE FOLLOWING TOPIC:

### **GROUP:A**

1. ROLE OF CHEMISTRY IN CORONA'S TIME
2. ELECTROCHEMICAL APPLICATION
3. WASTEWATER TREATMENT
4. SILICON DIOXIDE USE IN SOLAR CELLS

### **GROUP:B**

5. BIRTH CONTROL METHODS:PROGESTERONE
6. IDENTIFY HAZARDEOUS SUBSTANCE IN CHEESE.
7. USE OF RADIOACTIVE ELEMENTS
8. PAIN RELIEF MEDICINE :CHEMICAL COMPOSITION

### **GROUP:C**

9. WHAT IMPACT DOES COLD DRINK ON HEALTH
10. ACNE TREATMENT: RETIN-A
11. EFFECT OF E-CIGARETTES
12. INNOVATIVE WAY TO AVOID PESTICIDES IN

## **AGRICULTURE**

### **GROUP:D**

- 13. WHAT EXACTLY IS ORGANIC FOOD AND IS IT SAFE TO EAT?**
- 14. GROWING OF SYNTHETIC FOOD**
- 15. SCIENCE FACTS BEHIND ALLERGIES**
- 16. OPTIMISING INDOOR PLANT LIFE THROUGH CHEMISTRY**

### **GROUP:E**

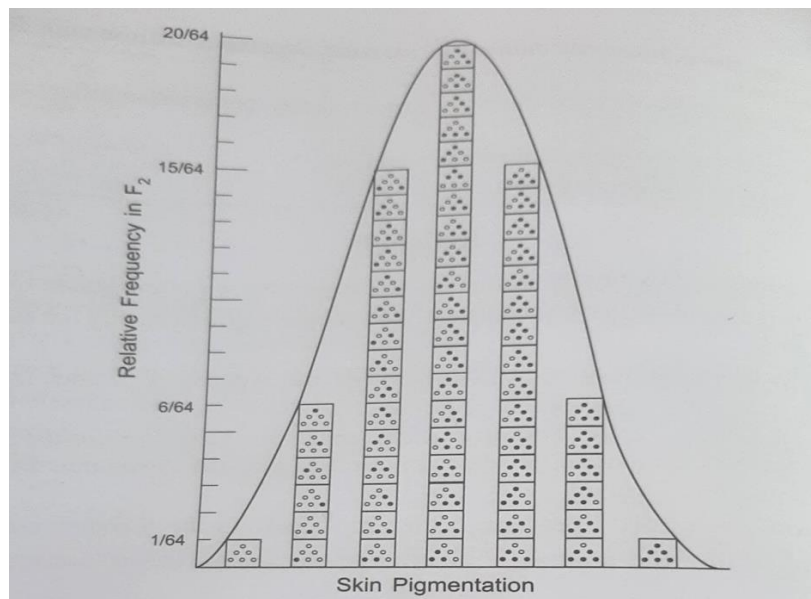
- 17. OXYGEN DISCOVERY**
- 18. NICOTINE AND CAFFEINE EFFECT**
- 19. OIL INDUSTRY POLLUTION**
- 20. INDUSTRIAL ACTIVITY AND ACID RAINS**

## **SUBJECT: BIOLOGY**

### **1. Make a Project File from the given topics (ANY ONE)**

### **2. CASE STUDY**

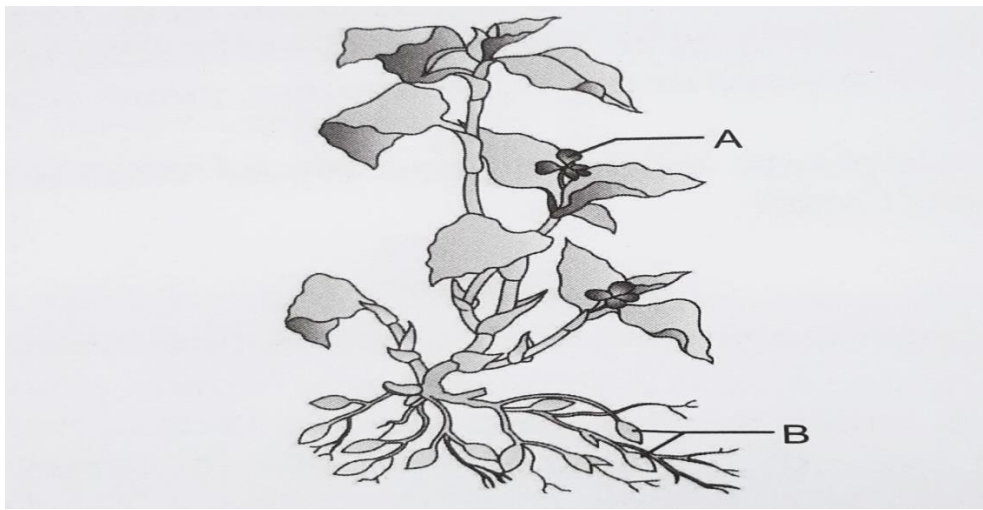
The traits studied by Mendel showed two distinct alternate forms, called contrasting characters. But, there are many heritable characters, which are not so distinct in their occurrence, but are spread across a gradient. Such traits are controlled by more than one gene and their inheritance is described as polygenic inheritance. When the relative frequency of the polygenic cross is plotted, a bell-shaped curve appears as given below:



### **Answer the following questions:**

- Give two examples of human traits that show polygenic inheritance.
- How many genes are involved in the trait shown in the graph and how many phenotypes have appeared?
- How does polygenic inheritance differ from pleiotropy?
- How does Polygenic inheritance differ from Multiple allelism?





2. The picture given above shows a Commelina plant, bearing two types of bisexual flowers, an adaptation for assured seed set and genetic variation in the progeny.
  - a. Name the type of flower A and the type(s) of pollination that can occur in it.
  - b. Name the type of flower B and the type(s) of pollination that can occur in it.
  - c. Name two other plant species, which also produce these two types of flowers on the same plant.
  - d. Which of the two types of flowers A or B, will show (i) assured seed set (ii) genetic variation in the progeny, respectively.
  
3. Mendel's work remained unrecognized for several years. Later, three scientists independently rediscovered Mendel's results. Also by this time, due to advancements in microscopy, scientists were able to carefully describe cell division. The chromosome movements during meiosis had been worked out.
  - a. When do the members of homologous pair of chromosomes separate from each other during cell division? What is this phenomenon called?
  - b. Name the scientists who proposed the chromosomal theory of inheritance.
  - c. Who provided experimental evidence for the chromosomal theory of inheritance? Write the scientific name of the organism, he worked on,
  - d. Give 4 reasons, why Mendel's work remained unrecognized for a long time.
  
4. Explain functions of Placenta in a human female.

5. How can childless couples be helped by the ARTs like GIFT and ICSI.
6. Describe the process of Megasporogenesis in an angiosperm and Draw the diagram of a mature embryo sac of angiosperm. Label its six parts.
7. Name the proper sequence of the phases of Menstrual cycle. When do the hormone Estrogen and Progesterone reach their peak levels and What is Ovulation?
8. Explain in detail Sex Determination in Honey Bee.
9. Draw and Explain Human Male and Female Reproductive system.
- 10 Complete Bio Practical Work and Learn and solve NCERT intext Questions of CH 2,3, 4 and 5.

## **SUBJECT: HISTORY**

### PROJECT:

1. BRICKS, BEADS AND BONES
2. KINGS, FARMERS AND TOWNS
3. KINSHIP, CASTE AND CLASS
4. THINKERS AND BELIEF (ANY ONE)

## **SUBJECT: GEOGRAPHY**

1. Make a map copy and paste 35 world map and practices map work given by CBSE.
2. Complete the first chapter of practical.
3. Do 1 mark, 3 marks, 5 marks questions and answer from each chapter of book -1 Fundamental of Human Geography.

- 1- Human Geography Nil
- 2- The World Population Density Distribution and Growth Nil
- 3- Human Development Nil
- 4- Primary Activities
  - Areas of subsistence gathering (Fig 4.2)•
  - Major areas of nomadic herding of the world (4.4)•
  - Major areas of commercial livestock rearing (4.6) Major areas of extensive commercial grain farming (4.12)•
  - Major areas of mixed farming of the World (4.14)•
- 5- Secondary Activities Nil
- 6- Tertiary and Quaternary Activities Nil Terminal Stations of Transcontinental Railways– Trans-Siberian, Trans•
- 7- Transport, Communication and Trade Canadian, Trans-Australian Railways Major Sea Ports Europe: North Cape, London, Hamburg•
  - North America: Vancouver, San Francisco, New Orleans•
  - South America: Rio De Janeiro, Colon, Valparaiso• Africa: Suez and Cape Town•
  - Asia: Yokohama, Shanghai, Hong Kong, Aden, Karachi, Kolkata• Australia: Perth, Sydney, Melbourne• Major Airports:
  - Asia: Tokyo, Beijing, Mumbai, Jeddah, Aden•
  - Africa: Johannesburg• & Nairobi Europe: Moscow, London, Paris, Berlin and Rome•
  - North America: Chicago, New Orleans, Mexico City• South America: Buenos Aires, Santiago• Australia: Darwin and Wellington•
  - Inland Waterways Suez Canal, Panama Canal, Rhine waterways and St. Lawrence Seaways
- 8- International Trade Nil

## **SUBJECT: ACCOUNTS**

Students will prepare a Project File to record their work related to the problems attempted by them in the following format :

1. First page of the file should describe title of work, identity of student, school, and the teacher concerned.
2. Index to indicate columns for title work, page no, date, teacher's remarks and signature.
3. The format for Project Work will be :-
  - a. Statement of the problem/Name of the project.
  - b. Objectives.
  - c. Period of Study
  - d. Source Material.
  - e. Tools of Analysis used.
  - f. Processing and Tabulation of data.
  - g. Diagrammatic/graphic presentation – pie diagrams, bar diagrams and graphs.
  - h. Derivatives, interpretation and Conclusion.
  - i. Assumption (if any).

Project file should be handwritten and presentable with page numbers. Each step of the solution needs to be highlighted conclusions drawn should be placed in boxes in the end.

## Concept for Calculation of Goodwill by Average Profit Method

**Step-1: Calculate Normal Business Profit:** Profit or Loss (given of past year (before adjustment):-

- Add :-*
- i) Abnormal Losses (e.g., loss by fire, theft, etc.)
  - ii) Loss on sale of Fixed Assets (since it is not a normal business activity)
  - iii) Overvaluation of Opening Stock or Undervaluation of Closing Stock  
[Since it would have reduced the profits]
  - iv) Non-recurring Expenses [Such expenses are not expected in future]
  - v) Capital Expenditure charged as Revenue Expenditure
  - vi) Revenue Income (if excluded)
- Less :-*
- i) Abnormal gains (e.g., Profit on sale of Fixed Assets)
  - ii) Overvaluation of closing stock or undervaluation of opening stock  
[As it would have increased the profit]
  - iii) Non-recurring income
  - iv) Partner's Remuneration, if it is not deducted
  - vi) Revenue expenses (if excluded)

**Step-2:** Find Average Business Profit: Add the normal business profit (as calculated in step 1) for all the year and divide the sum of it by the number of years for which profit is determined to calculate the average profit.

**Step-3:** Determine the number of years purchase: Number of years purchases means the years for which the firm is likely to earn that much profit because of the efforts put in the past. It is the estimate made for valuation of goodwill.

**Step-4:** Find value of goodwill:

$$\text{Goodwill} = \text{Average profit (as per step-2)} \times \text{Number of years purchase} \\ \text{(as per step-3).}$$

For example, goodwill of a firm is to be valued at three years purchase of four years average profit. The profit earned by the firm in the previous four years were Rs. 15,000; Rs. 11,000; Rs, 18,000 and Rs, 16,000. Goodwill be valued as follows :

$$\text{Average Profit} = \frac{\text{Rs. 15,000} + \text{Rs. 11,000} + \text{Rs. 18,000} + \text{Rs. 16,000}}{4} = \text{Rs. 15,000}$$

$$\text{Goodwill} = \text{Average Profit} \times \text{Number of years purchase} \\ = \text{Rs. 15,000} \times 3 = \text{Rs. 45,000.}$$

**Assignment of Average Profit Method**

**Question-1** (Average Profit Method, when Adjustments are made). Simran purchased Anita's business on 1st April, 2017. It was agreed to value goodwill at three years purchase of average normal profit of the last four years. The profits of Anita's business for the last four years were:

<u>Year Ended</u>	<u>Rs.</u>
31st March, 2014	90,000
31st March, 2015	1,60,000
31st March, 2016	1,80,000
31st March, 2017	2,20,000

It was observed from the books of account that :

1. During the year ended 31st March, 2014, an assets was sold at a gain (profit) of Rs. 10,000.
2. During the year ended 31st March, 2015, a machine got destroyed in accident and Rs. 30,000 was written off as loss in Profit and Loss Account.

3. During the year ended 31st March, 2016, firm's assets were not insured due to oversight. Insurance premium being Rs. 10,000.

Calculate the value of goodwill.

[Ans.: Rs. 4,95,000]

**Question -2** (Average Profit Method, when Adjustments are made). A, B and C are partners sharing profits and losses equally. They agree to admit D for equal share. For this purpose, goodwill is to be valued at four years purchase of average profit of last five years. Profits for the past five years were:

Year Ended	31st March, 2013	31st March, 2014	31st March, 2015	31st March, 2016	31st March, 2017
Profit/Loss (Rs.)	30,000	70,000	1,00,000	1,40,000	(1,20,000)

On 1st April, 2016, 5 cycles costing Rs. 20,000 were purchased and were wrongly debited to Travelling Expenses. Depreciation on cycles was to be charged @ 25%. Calculate value of goodwill.

[Ans.: Rs. 1,88,000]

**Question -3** (Average Profit Method, when Adjustments are made). A and B are partners sharing profits equally. They admit C into partnership for equal share. Goodwill was agreed to be valued at two years purchase of average profit of last four years. Profits for the last four years were:

Year Ended	Rs.
31st March, 2014	70,000
31st March, 2015	1,00,000
31st March, 2016	55,000 (Loss)
31st March, 2017	1,45,000

The books of account of the firm revealed as follows :

1. The firm had abnormal gain of Rs. 10,000 during the year ended 31st March, 2014.
2. The firm incurred abnormal loss of Rs. 20,000 during the year ended 31st March, 2015.
3. Repairs to car amounting to Rs. 50,000 was wrongly debited to vehicles 51 on 1st May, 2015.

Depreciation was charged on vehicles @10% on Straight Line Method.

Calculate the value of Goodwill.

[Ans.: Rs. 1,15,000]

**Question -4** (Weighted Average Profit when Adjustments are made). Akhil and Nikhil are partners sharing profits equally. They admitted Dinesh into partnership. It was agreed to value goodwill at three years purchase following Weighted Average Profit Method on the basis of past five years profits. Weights assigned to each year would be--years ended 31st March, 2013-1, 2014-2, 2015-3, 2016-4 and 2017-5.

The profits for these years were- Rs. 90,000, Rs. 80,000, Rs. 1,25,000, Rs. 1,50,000 and Rs. 1,75,000 respectively.

Verification of books of account revealed the following :

1. There was an abnormal loss of Rs. 15,000 during the year ended 31st March, 2013.
2. There was an abnormal gain of Rs. 10,000 during the year ended 31st March, 2015.
3. Closing Stock as on 31st March, 2016 was overvalued by Rs. 15,000.

Calculate value of goodwill.

[Ans.: Rs. 4,20,000]

Q.5 A and B are partners sharing profits in the ratio of 3: 2. They decided to admit C as a partner from 1st April, 2016 on the following terms:



- i) C will be given  $\frac{2}{5}$ th share of the profit.
- ii) Goodwill of the firm will be valued at two years purchase of three years normal average profit of the firm.

Profit of the previous three years ended 31st March were:

2017- Profit Rs. 20,000 (after debiting loss of stock by fire Rs. 40,000).

2016- Loss Rs. 80,000 (includes voluntary retirement compensation paid Rs. 1,10,000).

2015- Profit Rs. 1,10,000 (including a gain (profit) of Rs. 30,000 on the sale of fixed assets).

You are required to value the goodwill. (Ans.: value of goodwill Rs. 1,13,333.)

Q.6 X and Y are partners sharing profits and losses in the ratio of 3 : 2. They admit Z into partnership for  $\frac{1}{4}$ th share in goodwill. Z brings in this share of goodwill in cash. Goodwill for this purpose is to be calculated at two years purchase of the average normal profit of three years. Profits of the last three years ended 31st March, were:

2015- Profit s. 50,000 (including profit on sale of assets Rs. 5,000).

2016- Loss Rs. 20,00 (including loss by fire Rs. 30,000).

2017- Profit Rs. 70,000 (including insurance claim received Rs. 18,000 and Interest on investments and Dividend received Rs. 8,000).

Calculate value of goodwill. Also, calculate goodwill brought in by Z.

[Ans.: Goodwill - Rs. 66,000; Z shall bring  $\frac{1}{4}$ th of Rs. 66,000 = Rs. 16,500 as goodwill.]

### Average Profit Method with Past Adjustments -

Q.7 Sumit purchased Amit's business on 1st April, 2017. Goodwill was decided to be valued at two years purchase of average normal profit of last four years. The profits for the past four years were :

Year	31st March, 2014	31st March, 2015	31st March, 2016	31st March, 2017
Profit (Rs.)	80,000	1,45,000	1,60,000	2,00,000

Books of Account revealed that :

- i) Abnormal loss of Rs. 20,000 was debited to Profit and Loss Account for the year ended 31st March, 2014.
- ii) A fixed asset was sold in the year ended 31st March, 2015 and gain (profit) of Rs. 25,000 was credited to profit and loss account.
- iii) In the year ended 31st March, 2016 assets of the firm were not insured due to oversight. Insurance premium not paid was Rs. 15,000.

Calculate the value of goodwill.

[Ans.: Value of Goodwill - Rs. 2,82,500.]

Q.8 X and Y are partners in a firm. They admit Z into partnership for equal share. It was agreed that goodwill will be valued at three years purchase of average profit of last five years. Profits for the last five years were:

Year Ended	31st March, 2013	31st March, 2014	31st March, 2015	31st March, 2016	31st March, 2017
Profit (Rs.)	90,000 (Loss)	1,60,000	1,50,000	65,000	1,77,000

Books of Account of the firm revealed that:

- i) the firm had gain (profit) of Rs. 50,000 from sale of machinery sold in the year ended 31st March, 2014. the gain (profit) was credited in Profit and loss account.
- ii) There was an abnormal loss of Rs. 20,000 incurred in the year ended 31st March, 2015 because of a machine becoming obsolete in accident.
- iii) Overhauling cost of second hand machinery purchased on 1st July, 2015 amounting to Rs. 1,00,000 was debited to Repairs Account.
- Depreciation is charged @ 20% p.a. on Written Down Value Method.
- Calculate the value of goodwill.

[Ans.: Value of goodwill Rs. 3,00,000.]

Q.9 The following were the profits of a firm of the last three years.

Year Ending	Profit (Rs.)
March, 31	
20 x 1	3,00,000 (including an abnormal gain of Rs. 90,000)
20 x 2	2,40,000 (after charging an abnormal loss of Rs. 1,20,000)
20 x 3	3,60,000 (excluding Rs. 1,20,000 payable on the insurance of plant and machinery )

Calculate the value of firms goodwill on the basts of four years purchase of the average profits for the last three years.

[Ans.: Rs10,80,000]

-X-

## **SUBJECT: ECONOMICS**

### **1. Preparation of project files.**

#### **Key instructions:**

- **Choose the topic wisely (Only one topic)**
- **Collect photos, pictures, graphs, schedule, etc related with the topic.**
- **Make sure that proper research is done on the given topic.**
- **The maximum pages for the project file should be less than 30 pages.**

#### **Suggestive list of Projects:**

- **Human Development Index**
- **Minimum Support Price**
- **Waste Management in India**
- **Digital India-Steps towards the future**
- **Make in India-The way ahead**
- **Disinvestment policy of the government**
- **Role of RBI in control of credit**
- **Organic Farming- Back to nature**
- **Minimum wage rate**
- **Currency war- reasons and repercussions**
- **Inclusive growth strategy**

## **SUBJECT: BUSINESS STUDIES**

### **Project Work : Project on Marketing**

**To begin with, the students must choose a product/service. The chosen product/service should not be one whose consumption/use is discouraged by the society and government.**

**Now the students are required to make a project on the identified product/service keeping in mind the following:**

- **Why have they selected this product/service?**
- **Find out '5' competitive brands that exist in the market.**
- **What permission and licenses would be required to make the product?**
- **What are your competitors Unique Selling Proposition? [U.S.P.]**
- **Does your product have any range give details?**
- **What is the name of your product?**
- **Enlist its features.**
- **Draw the 'Label' of your product.**
- **Draw a logo for your product.**
- **Draft a tag line.**
- **What is the selling price of your competitor's product?**
  - **Selling price to consumer, retailer & wholesaler**
  - **What is the profit margin in percentage to the Manufacturer, Wholesaler, and Retailer?**
  - **How will your product be packaged?**
  - **Which channel of distribution are you going to use? Give reasons for selection?**
  - **Decisions related to warehousing, state reasons.**
  - **What is going to be your selling price?**
    - **To consumer, To retailer & To wholesaler**
    - **List 5 ways of promoting your product.**
    - **Any schemes for**
      - **The wholesaler**

- **The retailer**
- **The consumer**
- **What is going to be your 'U.S.P?**
- **What means of transport you will use and why?**
- **Draft a social message for your label.**
- **What cost effective techniques will you follow for your product.**
- **What cost effective techniques will you follow for your promotion plan.**

## **REVISIONAL ASSIGNMENTS- CLASS12- BUSINESS STUDIES**

### **PART A- PRINCIPLES OF MANAGEMENT**

#### **UNIT-1- NATURE AND SIGNIFICANCE OF MANAGEMENT**

1. **In order to be successful an organization must change its goals according to the needs to the environment. Which characteristic management is highlighted in the statement?**
2. **To meet the objectives of the firm the Management of Angora Limited offers employment to Physically Challenged persons. Identify the organizational objective it is trying to achieve**
3. **Management of any organization strives to attain different objectives. Enumerate any two such objectives.**
4. **Give any two characteristics of management.**
5. **Management is multidimensional. Enumerate any two dimensions of management.**
6. **Managerial activities are performed in all types of organizations in all departments at all levels. Which management character is highlighted here?**

- 7. Your grandfather has retired where he is responsible for implementing the plans developed by the top management at which level of management was he working? State one more function of this level of management. ((Write anyone function of this level).**
- 8. List any two social objectives of management.**
- 9. Your grandfather has retired as a Director of manufacturing company. At which level of management was he working? Different functions are performed at this level. State any one such function. Write any one function of this level.**
- 10. What is meant by management ?**
- 11. The Activities involved in managing an enterprise are common to all organizations whether economic, social or political. Which characteristics of management is highlighted by this statement ?**
- 12. Policy formation is the function of which level of management?**
- 13. In order to be successful an organization must change its goals according to the need of the environment. Which characteristic of management in highlighted in the statement?**
- 14. To meet the objectives of the firm the management of Angora Ltd. Offer employment to physically challenged persons. Identity the organizational objective it is trying to achieve.**
- 15. Management of any organization strives to attain different objectives Enumerate any two such objectives?**
- 16. Who are considered as Operative managers?**

## **SUBJECT: INFORMATICS PRACTICES**

Question 1: Create a board practical file with 20 questions from python pandas Series and Data Frames. Paste the output of each program on the left hand side, i.e., blank side of the page.

Question 2: Create 3 tables in MySQL and write the 5 queries from each table. Paste the output on blank side of the page.

## **SUBJECT: PHYSIOLOGY**

1. Prepare minimum 18 slides on “Dance Therapy” to cure any psychological disorder.
2. Prepare a Case Profile using interview method based on “Eating disorders among teenagers and Adolescents”.

## **SUBJECT: PHYSICAL EDUCATION**

1. As the Sports Captain of your school, you are involved in the selection of students for participating in District/Region/Zone matches subsequently.  
List out the criteria you will employ for selection of
  - (a) Individual Games/Sports
  - (b) Team Games/Sports
2. Prepare diet plans for the following:-  
Diet plan for building muscle for a vegetarian athlete.  
Diet plan for building muscle for a non-vegetarian athlete.  
Eating strategies for a person who wants to lose 15kg.  
Eating strategies for a person who wants to gain 10kg.
3. Find out
  - What structures make up the back?
  - What causes lower back pain?
  - What are the risk factors for developing low back pain?
  - How is low back pain diagnosed?



- How is back pain treated?
- How can you prevent a back pain?

Make your answer in the form of a poster.

- NOTE:**
1. Work should be done in hand written form.
  2. Separate file will be prepared for the above given work.
  3. Homework is to be submitted within a week when the school reopens.

ENJOY YOUR HOLIDAYS UTMOST. TRY TO LEARN SOME NEW LIFESKILLS.

## **SUBJECT: PAINTING**

Q1 Make 10 paintings in your big Art file ( having good quality pages)

- 1) 2 landscapes
- 2) One Alekhan ( design in any shape square, rectangular, circle ,rombas
- 3) 3 picture composition ( festival, mela ,market etc)
- 4) 2 still life sketch ( object drawing)
- 5) 1 folk art ( Folk art of any state, Aipan art , Kolam design , Madhubani art,
- 6) 1 monochromatic painting

# Prepare one canvas also